

CM0504

Controller Module

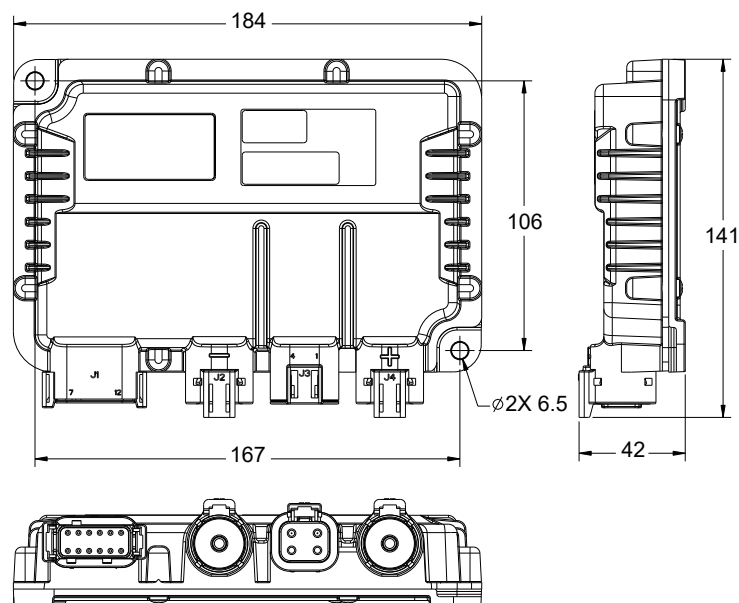


General	
Weight	0.56 kg
Operating Temperature	-40°C to +85°C
Storage Temperature	-40°C to +85°C
Electrical	
System Voltage	12 V and 24 V
Micro Core Capabilities	
Micro Type	ARM® Cortex™-M4 32-bit
Flash Size	768 Kbyte
RAM Size	160 Kbyte
EEPROM size	16 Kbit
Communication	
CAN Channels (SAE J1939)	1 with "Wake on CAN" functionality
CAN speed	up to 1 Mbps
HMI	
Status LED	1 green, to show power status
Inputs/Outputs	
Inputs	1 active-high with wake-up 4 multi-function (analog, digital, frequency, resistive, pulse count), software configurable 1 address line, up to 8 CM0504 modules possible on a CAN network
High Side Outputs	up to 4
Low Side Outputs	up to 4
H-Bridge	up to 2
Output Configurations	e.g. 4 HS or 4 LS or 2 H-bridge or any combination using the 4 output pins
Maximum Continuous Load	25 A per output
Maximum PWM Frequency	up to 2000 Hz @ 25 A per channel
Maximum Module Current	100 A
Mechanical	
Enclosure Material	Plastic housing with aluminum base
Connector Type	2x Deutsch DTTH 1 position, 1x Deutsch DTP 4 position, 1x Deutsch DTM 12 position
Mounting Method	2 x 1/4" or 6 mm bolts



Software	
Slave Module	Module is controllable as a slave module over a J1939 CAN network Slave module CAN messaging details are user configurable
Environment	
Humidity (soak)	ANSI/SAE EP455 DEC 1990 (R2008) section 5.13.2
Humidity (cyclic)	ANSI/SAE EP455 DEC 1990 (R2008) section 5.13.1
Dust/Water Ingress Protection	IP67 and IP69K
Salt Spray	MIL-STD-202G Method 101E condition B
Shock	ANSI/SAE EP455 Dec 1990 (R2008) Section 5.14.1
Random Vibration	BS EN7691:1994 section 6.6.1 severity level 3
ESD	ISO 10605:2008(E) section 8.3 and 9.3
EMC	
Susceptibility	ISO 13766 2006 section 5.8.2
Emissions	ANSI/SAE EP455 DEC1990 (R2008) section 5.16.3.1
Markings/Approvals	
CE	2014/30/EU, EMC directive
E-mark	ECE Regulation 10: 2014 Addendum 9, Rev. 5, Approval number E8 10R-05 9628
Ordering	
Ordering Part Number	1038003ECD

Dimensions



units=mm



WARNING - California Proposition 65

This product can expose you to chemicals including ETHYLENE GLYCOL (INGESTED) which is known to the State of California to cause birth defects or other reproductive harm.

For more information go to www.P65Warnings.ca.gov

